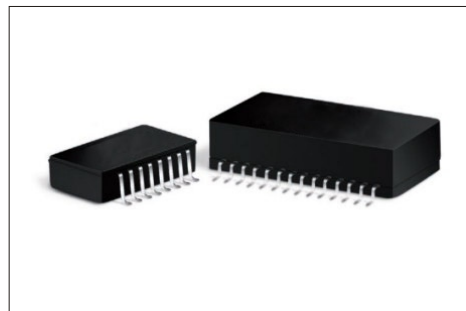


IEEE 1394B FIREWIRE 1.062GB TRANSCEIVER LINE INTERFACE MODULE LTM1062TXHUA SERIES



Features

- Small package incorporating active transmit and passive receive circuits with integrated isolation transformers
- Low power dissipation
- Low transmit/receive jitter
- Recommended for distances up to 20 meters
- AS9100 Certified (Based on, including ISO 9001:2000)
- IC grade transfer-molded package withstands 225°C peak temperature profile.

TRANSMITTER — Electrical Specifications @ 25°C — Operating Temperature -55°C to +125°C

Part No.	Input Data Voltage-V _{IL} (V)			Input Data Voltage-V _{IH} (V)			Input Voltage Differential-V _{IN} (mV)			Input Current-I _{IL} (μA)	Input Current-I _{IH} (μA)	Differential Signal Level-V _{OUT} (mV)		
	MIN	TYP	MAX	MIN	TYP	MAX	MIN	TYP	MAX	MAX	MAX	MIN	TYP	MAX
LTM1062TXDUA	1.35	1.63	1.88	2.07	2.33	2.58	150	800	1200	40	150	1200	1300	1500
LTM1062TXHUA	1.35	1.63	1.88	2.07	2.33	2.58	150	800	1200	500	750	1200	1300	1500
LTM1062TX3DUA	1.35	1.63	1.88	2.07	2.33	2.58	150	800	1200	500	750	1200	1300	1500

TRANSMITTER — Additional Electrical Specifications @ 25°C — Operating Temperature -55°C to +125°C

Part No.	Power Dissipation (mW)	θ _{ja} (°C/W)		Input Voltage (V _{CC} ± 10%)	Data Rate-D _R (Mb/s)		Total P-P Transmit Jitter (pS)		Output Rise-Fall Time(20%-80%) (ps)		Return Loss (dB)
	TYP	@ 85°C	@ 125°C	TYP	MIN	MAX	TYP	MAX	TYP	MAX	MIN
LTM1062TXDUA	232	41	39	3.3V	246	1062	62	94	275	400	-12
LTM1062TXHUA	232	41	39	3.3V	246	1062	62	94	275	400	-12
LTM1062TX3DUA	700	34	30	3.3V	246	1062	62	94	275	400	-12

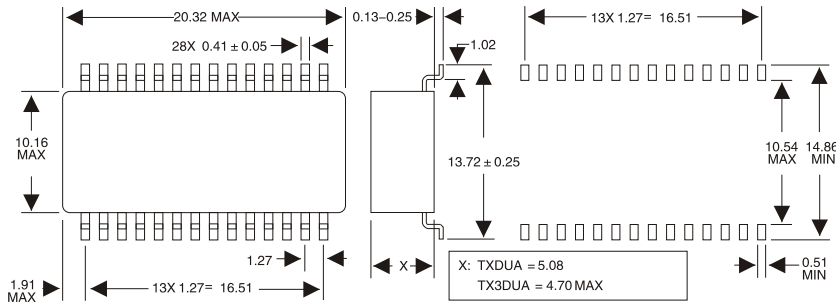
TRANSFORMER COUPLED RECEIVER — Electrical Specifications @ 25°C — Operating Temp. -55°C to +125°C

Part No.	Turns Ratio	Primary Inductance-L _m (μH)	Rise Time (20%-80%) (pS)	Data Rate-D _R (Mb/s)		Winding Resistance-DCR (Ω)	Insertion Loss (dB)	Return Loss (dB)
	TYP	MIN	MAX	MIN	MAX	MAX		
LTM1062TXDUA	1:1	4.5	300	246	1062	0.2	-2MAX	-12MIN
LTM1062TXHUA	1:1	4.5	300	246	1062	0.2	-2MAX	-12MIN
LTM1062TX3DUA	1:1	4.5	300	246	1062	0.2	-2MAX	-12MIN

*At 1062 Mb/s data rate

Note:Add suffix "T" to part number for Tape and reel package

Mechanical LTM1062TXDUA/LTM1062TX3DUA

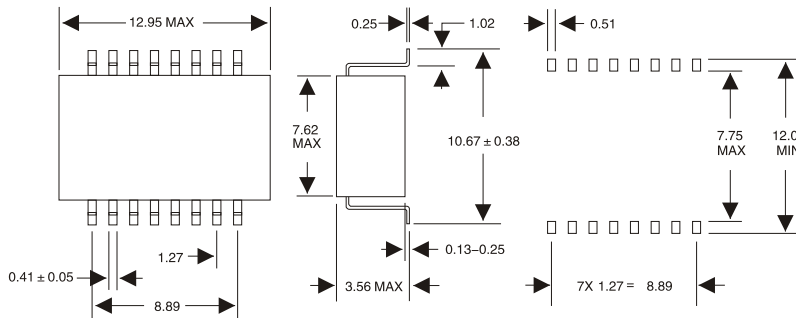


	TXDUA	TX3DUA
Weight.....	2.3grams	2.8grams
Tape & Reel	350/reel	350/reel
Tray.....	25/tray	25/tray
MSL.....	3	3

Dimensions:mm

Unless otherwise specified,all tolerances are ± 0.13

Mechanical LTM1062TXHUA

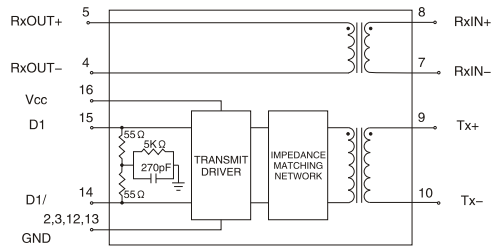


Weight.....	7.2grams
Tape & Reel	500/reel
Tray.....	20/tray
MSL.....	3

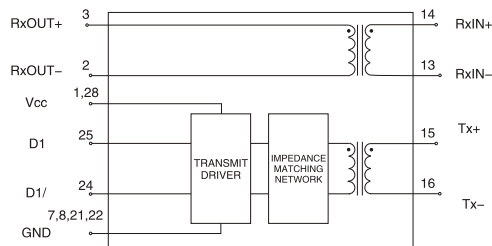
Dimensions:mm

Unless otherwise specified,all tolerances are ± 0.13

Schematic LTM1062TXHUA



Schematic LTM1062TXDUA



Schematic LTM106TX3DUA

